

Hardware Installation

In order to successfully install the TDM400 card into your PC, please follow these directions carefully. Otherwise, your hardware maybe will not function properly and could become damaged.

Steps

1. Power down the PC
2. Unplug the PC from its main AC power supply
3. Insert the TDM400 into a 3.3- or 5-volt PCI slot (PCI 2.2 or greater required)
4. If your card have S2 (FXS) module (Green module), plug the hard disk power supply cable to power jack.
5. Fix the TDM400 Card, connect the telephone lines.
6. Power on the PC

After following these steps, hardware installation is complete.

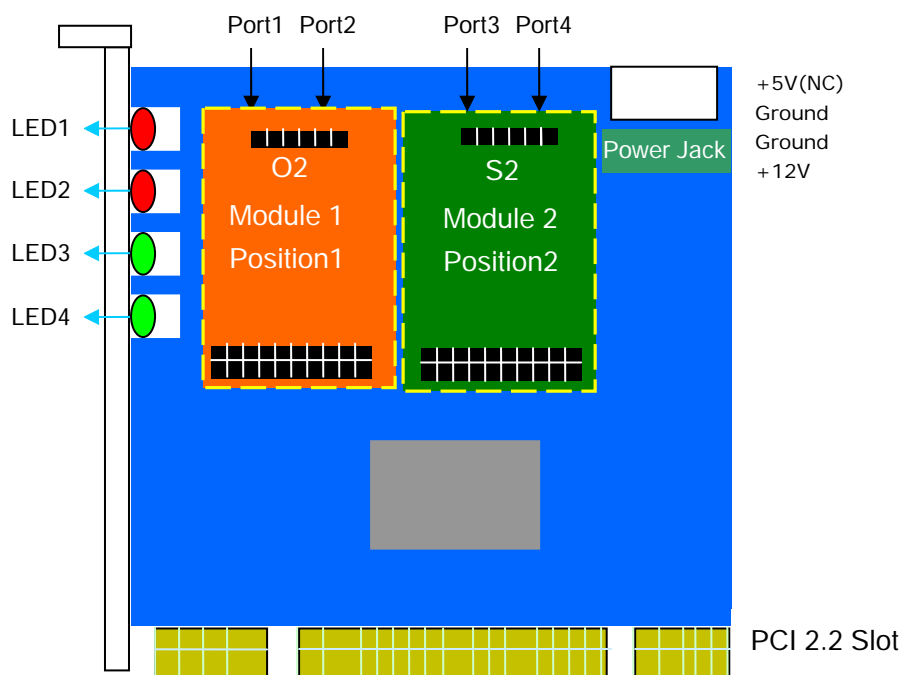


Figure 1: TDM400 Modules

TDM400 can install 2 modules S2 (FXS) or O2 (FXO), each one with 2 ports for connecting more analog telephones.

 **Red light: it stands for the FXO port.**

 **Green light: it stands for the FXS port.**

Standard Package:

TDM400 mother card; Up to 2 daughter modules; 2 line cables and 1 power cable;
TDM400 Instruction.

Warranty: Yeostar is responsible for the quality of all cards and modules. Included with the purchase of the TDM400 is 30 days of email technology support to get your card running, 3 years warranty of hardware performance.

Each RJ 11 socket has 6 pins, TDM400 just use the middle 2 pin (3rd and 4th pin) to connect to you 2-wire telephone line, other pins are not used.

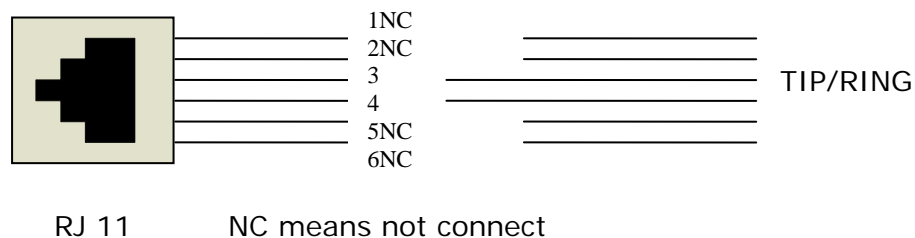


Figure 2: TDM400 Jacks

Driver Installation

Please download the driver and guide from <http://www.yeostar.com> If you have any problem about it, please contact us through support@yeostar.com

If you want to connect with PBX, TDM400 card's FXS port should connect to PBX CO port and FXO port connect to PBX extension port.